

Great uniformity
Easy installation
5 years warranty



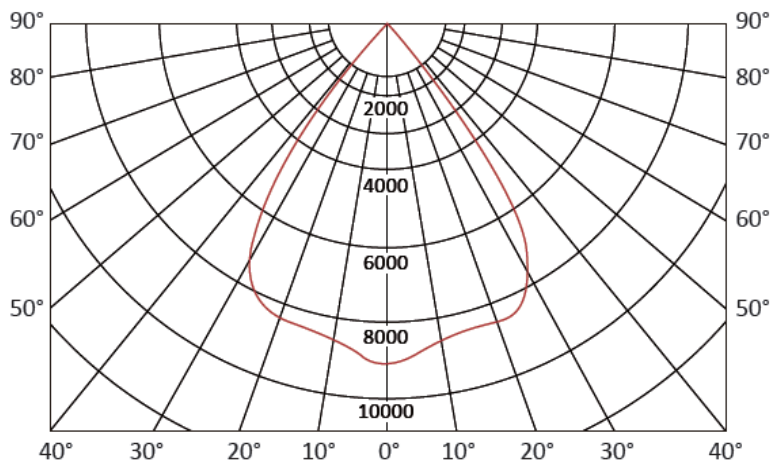
HB Series ^{130W} LED High bay light

Warehouses / Retail markets / Facilities

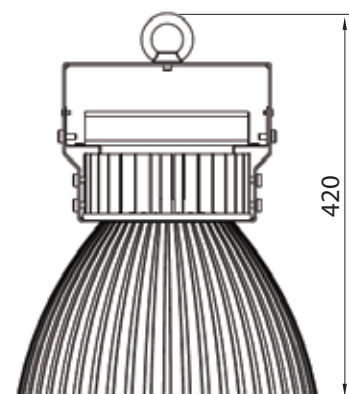
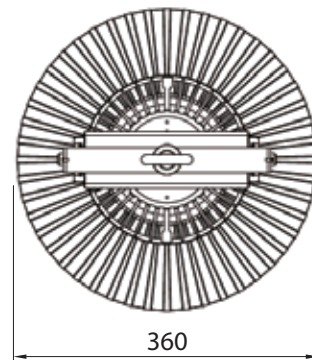


1. Innovated modular design with easy-changeable driver and light engine
2. Lightest High-Bay light in the world (3.8Kg/130W)
3. Low glare (UGR<19)
4. Over temperature protection to prolong lifetime
5. Saving up to 80% energy by replacing 250-500W mercury high bay
6. Installation friendly

■ Light distribution curve



■ Dimension / Unit : mm



■ Lux at a distance

1m	9396 lx	148 cm
2m	2349 lx	297 cm
3m	1044 lx	445 cm
4m	586 lx	594 cm
5m	375 lx	742 cm
6m	261 lx	890 cm

■ Specifications

Power	130W
Model number	HB130TL-57
Lumen output (lm)	13,000~14,300
Color temperature (K)	5,700
Lumen per watts of light (lm/w)	100~110
CRI (CRI)	80
UGR	<19
Operation Temp(°C)	-30 ~ 50
Storage Temp(°C)	-40 ~ 60
Dimension (mm)	Φ 360* 420(H)
Fixture weight (kg)	3.8

■ Package

Directions	Q'ty(EA)	GW.(Kg)	Dimension(cm)
Stand Package	1	7	48(L)*48(W)*52(H)